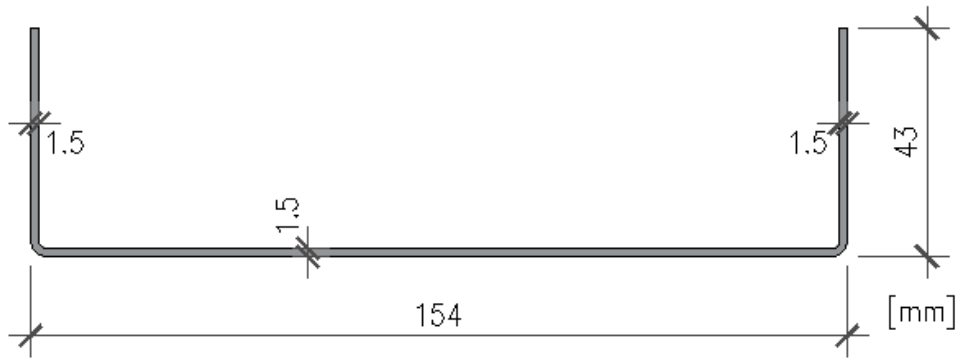
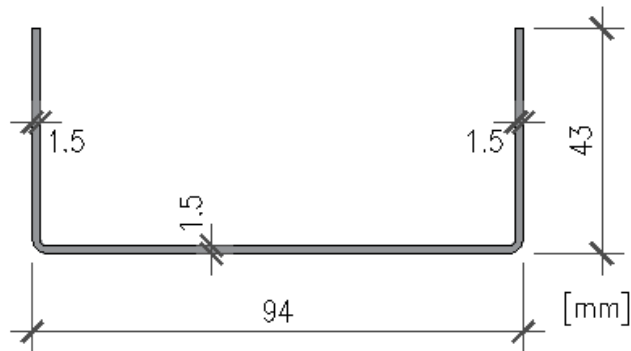


Galvanized Steel Profiles for Ventilated Facades with Viroc panels

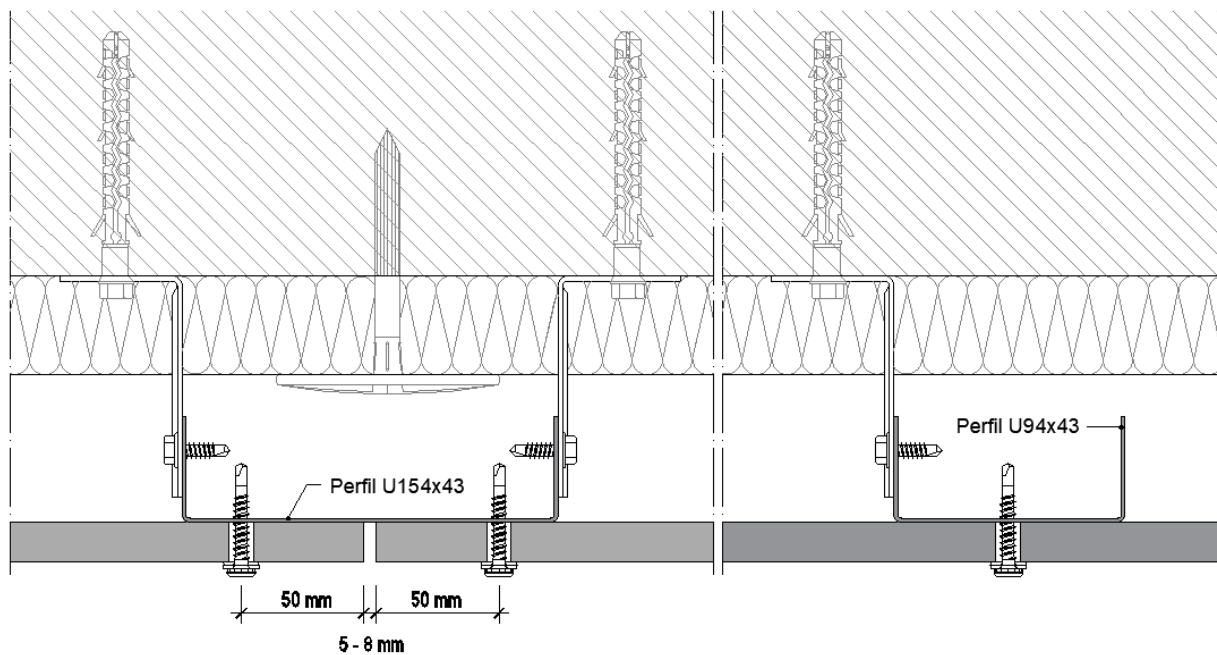
Profile U154x43, thickness 1.5 mm, $f_y=294 \text{ N/mm}^2$.



Profile U94x43, thickness 1.5 mm, $f_y = 294 \text{ N/mm}^2$.



Details



Contacts for information and supply

Saint-Gobain Portugal S.A.

R. Castalhão 590, 4410-269 Canelas

Tel. +351 227 626 263

Tlm: +351 962 046 372

duarte.fernandes@saint-gobain.com